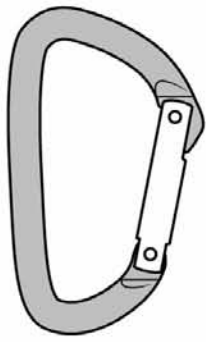
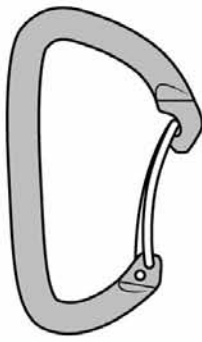


This representation of EN 12275 and UIAA 121 does not contain the full details of the test methods and requirements in these standards; it gives only a simplified pictorial presentation. For full details, EN 12275 and UIAA 121 should be consulted. © Copyright. This material may not be copied for commercial use.

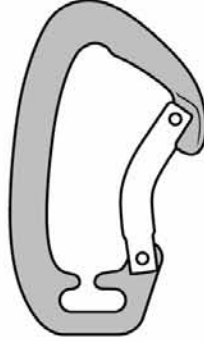
The general term "Connectors" is used to include all types of karabiners and also quicklinks ("Maillon rapide").



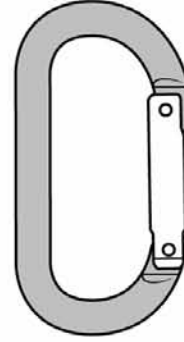
**Type B (Basic)**  
Connector for normal use



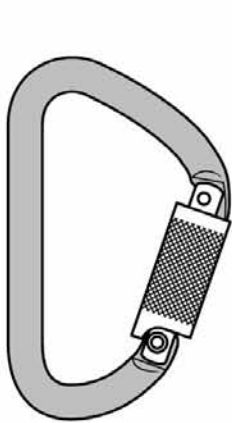
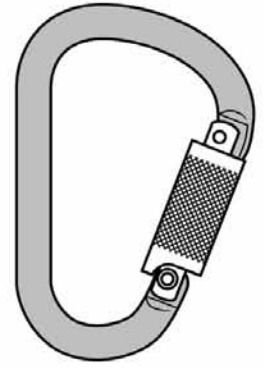
**Type D (directional)**  
Connector for Quickdraws



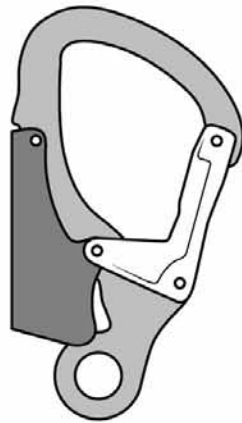
**Type X (oval shape)**  
Connector for Aid climbing



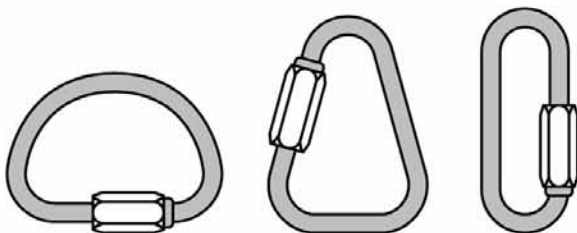
**Type H (HMS)**  
Connector for belaying



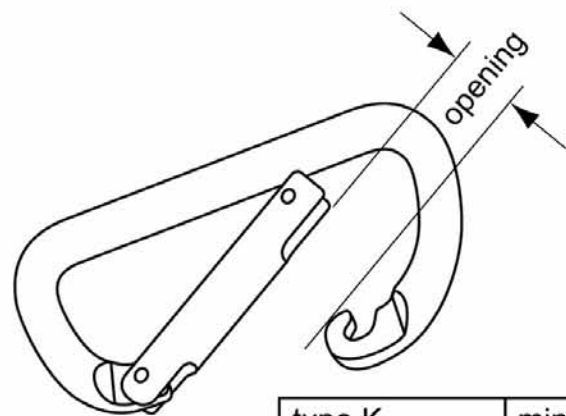
**Type K (Klettersteig)**  
Connector for "Via ferrata", "Klettersteig"  
Type K Connectors shall have an automatic locking device



**Type Q (Quick link)**  
Connector for extra safety Quick link, "Maillon rapide"

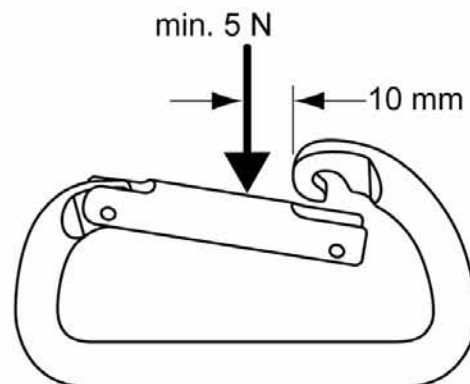


**Gate opening**



type K	min. 21 mm
all other types	min. 15 mm

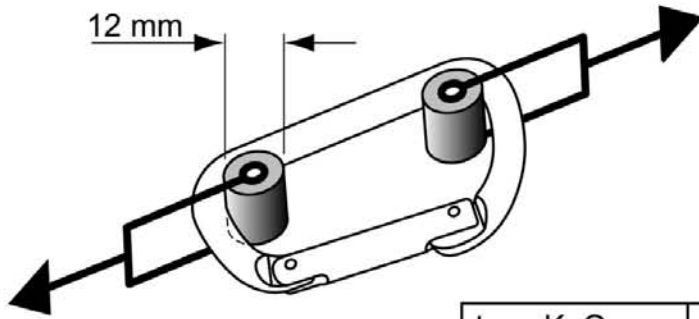
**Gate opening force**  
(for all types)



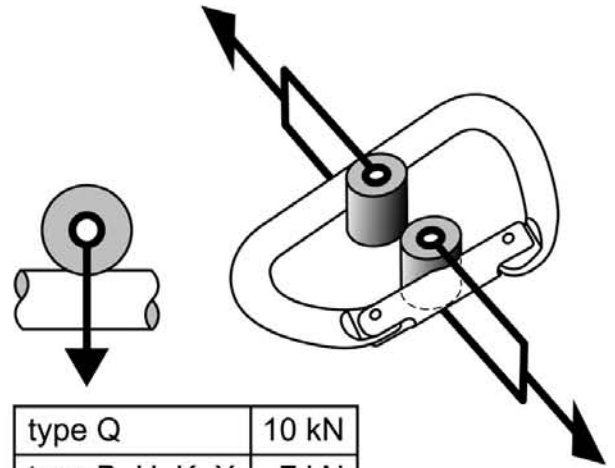
EN-12275

CONNECTORS

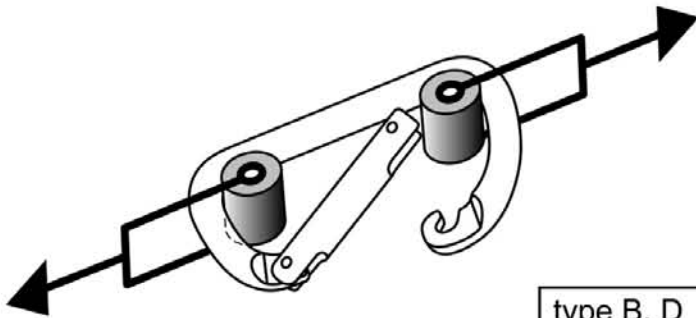
UIAA-121

**Strength in main direction**

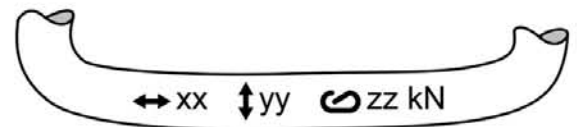
type K, Q	25 kN
type X	18 kN
all other types	20 kN

**Strength in transverse direction**

type Q	10 kN
type B, H, K, X	7 kN
typ D	--

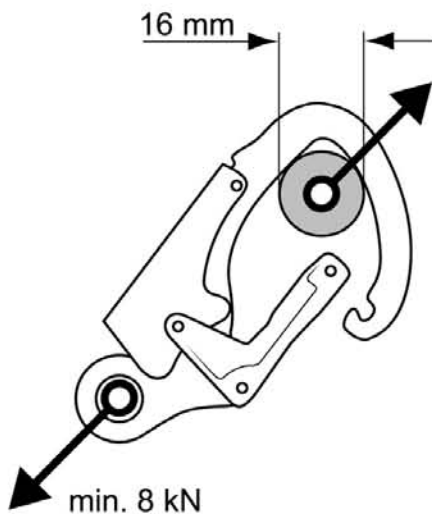
**Gate-open strength**

type B, D	7 kN
type H	6 kN
type X	5 kN
type K, Q	--

**Marking of strength (in kN)**

strength

xx	in main direction
yy	in transverse direction
zz	gate-open

**Additional requirements of UIAA 121  
only for type K (Klettersteig, "via ferrata")****Gate-open strength****Strength over an edge**